



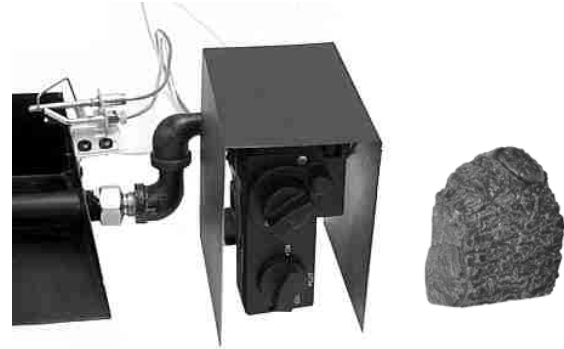
ROBERT H. PETERSON CO. **Real-Fyre**[®]

**Owner's
Manual**

AUTOMATIC REMOTE LIGHTING SAFETY PILOT SYSTEM WITH VARIABLE FLAME HEIGHT REMOTE READY CONTROL FOR NATURAL OR PROPANE GAS

FEATURES

- CONTROL OPERATED ON/OFF •
- REMOTE READY •
- VARIABLE FLAME HEIGHT CONTROL •
- SUITABLE FOR PAN BURNERS (P-SERIES)
& G4 SERIES GAS LOG SETS
& HG SERIES GAS LOG SETS •



INSTALLER:

Please leave these instructions with the consumer

CONSUMER:

Please retain for future reference

MODEL APK 150(P)

WARNING: If the information in this manual is not followed exactly, a fire or explosion may result causing property damage, personal injury or loss of life.

- Do not store or use gasoline or other flammable vapors and liquids in the vicinity of this or any other appliance.
- **WHAT TO DO IF YOU SMELL GAS**
 - Do not try to light any appliance.
 - Do not touch any electrical switch; do not use any phone in your building.
 - Immediately call your gas supplier from neighbor's phone. Follow the gas supplier's instructions.
 - If you cannot reach your gas supplier, call the fire department.
- **Installation and service must be performed by a qualified, professional installer, service agency or the gas supplier.**

INSTALLER & CONSUMER :

These Instructions **MUST** be retained with this appliance

IMPORTANT: READ THESE INSTRUCTIONS CAREFULLY BEFORE STARTING INSTALLATION OF YOUR LOG SET

BE SURE DAMPER IS FULLY OPEN WHEN OPERATING LOG SET

YOUR PETERSON LOG SET IS TO BE BURNED ONLY IN A FULLY VENTED, NONCOMBUSTIBLE FIREPLACE WITH DAMPER AND CHIMNEY FREE OF ANY OBSTRUCTIONS. THE FIREPLACE MUST BE DESIGNED AND APPROVED TO BURN WOOD. Like burning natural firewood, your Peterson log set is designed to burn with yellow smoky flame. For this reason, it must be adequately vented. Be sure your fireplace damper is fully open when you burn your gas log set. The smallest dimension of the chimney flue must be at least 8 inches. If it is smaller, **DO NOT USE A PETERSON LOG SET.** If fumes from the burner emerge into the room when the damper is fully open, creating a smell like a smoldering oil lamp, it indicates that the fireplace draft is defective. Check chimney flue for obstructions. **DO NOT OPERATE LOGS UNTIL THE FIREPLACE DRAFT IS CORRECTED.** Check with your dealer or installer. Do not use firewood with this unit.

This safety pilot system contains a control certified by C.S.A.

IMPORTANT INFORMATION

CHECK TO BE SURE THAT THE SAFETY PILOT HAS BEEN ASSEMBLED FOR THE PROPER GAS.

The installation, including provisions for combustion and ventilation air, must conform with local codes or, in the absence of local codes, with the National Fuel Gas Code, ANSI Z223.1 (latest edition).

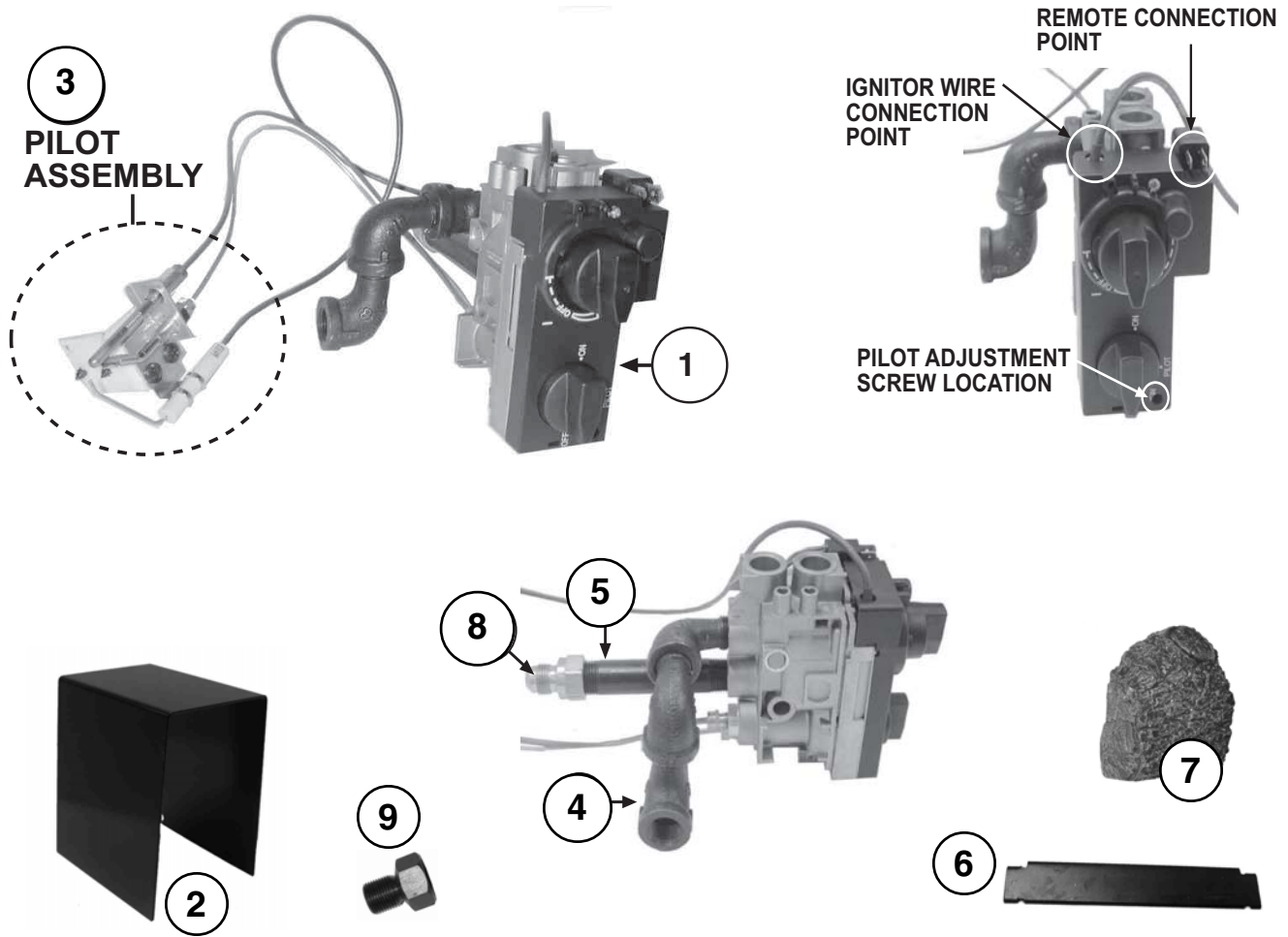
This appliance and its individual shutoff valve must be disconnected from the gas supply piping system when testing at pressures exceeding 1/2 psig. Do this by closing gas supply valve, which is required by NFPA 54.

This appliance must be isolated from the gas supply piping system by closing its individual manual shutoff valve during any testing of the gas supply system at test pressures up to and including 1/2 psig.

WHEN GLASS FIREPLACE ENCLOSURES (DOORS) ARE USED, OPERATE THE GAS LOG SET WITH THE GLASS DOORS OPEN, BOTH SIDES IF FIREPLACE IS SEE-THRU TYPE.

APK-150(P) PARTS LIST

(IMAGES NOT TO SCALE)



Item No.	Part No.	Description	Item No.	Part No.	Description
1.	SV-22	Safety pilot valve, natural gas	5.	NP-10	Nipple, 3/8" x 3 1/2" BLK
	SV-23	Safety pilot valve, L.P. gas	6.	SH-1	Flame diverter bracket
2.	HS-31	Heatshield (fits over valve)	7.	WC-1-50	Wood chip
3.	PAC-2NAT	Pilot assembly (nat gas)	8.	AD-2	Adaptor
	or PAC-2LP	Pilot assembly (L.P.)	9.	AB-2T	"T" injector
4.	EL-2	Street elbow 3/8" BLK			

HOW TO INSTALL YOUR APK-150(P) SAFETY PILOT SYSTEM

This safety pilot system must be installed by a qualified professional person.

Instructions must be followed carefully when installing to ensure proper performance and full benefit from your gas log set and safety pilot system.

GENERAL - These instructions must be used as a supplement to the instructions supplied with your Peterson gas log set. Follow the gas log set instructions and make adjustments as appropriate for the addition of a safety pilot system. Use gas pipe sealing compound which is resistant to all gases or teflon tape and apply to all male pipe connections. Make sure that all connections are tight.

NOTE: ON 24" & 30" BURNERS, REMOVE EXISTING FUEL INJECTOR AND REPLACE WITH THE SUPPLIED "T" INJECTOR.

STEP 1 - CONNECTING THE APK-15 TO THE BURNER (standard)

- A. Follow the instructions supplied with your Peterson gas log set for proper burner placement.
- B. Connect the 3/8" street elbow (Item 4) to the fuel injector or air mixer supplied with your burner, (or where replaced on 24" & 30" burners, the "T" injector). Be sure all connections are tight.
- C. The APK-15 valve should be angled slightly upwards to allow for the burner pan to sit flush against the fireplace floor.
- D. To connect the APK-15 to the gas supply, the CK-4 Connector Kit and it's component parts will be needed, which are included with your burner system.
- E. Attach the hearth elbow to the gas supply stub in your fireplace. Use teflon tape or pipe compound on the stub. Tighten securely.
- F. Attach the smaller connector elbow to the nipple on the APK-15 control valve. Use teflon tape or pipe compound. Tighten securely.
- G. Connect the hearth elbow to the connector elbow with aluminum tubing. Tighten both ends securely.

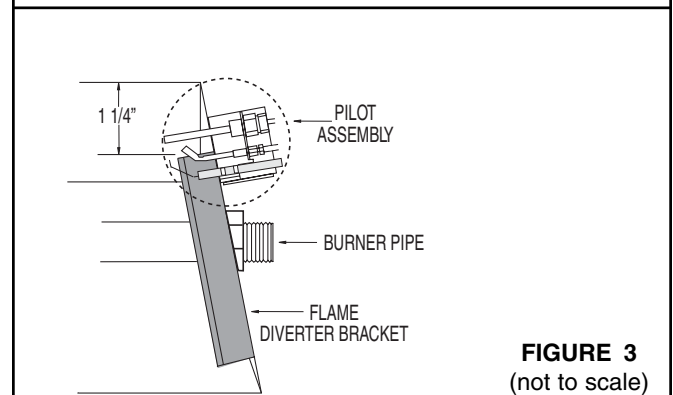
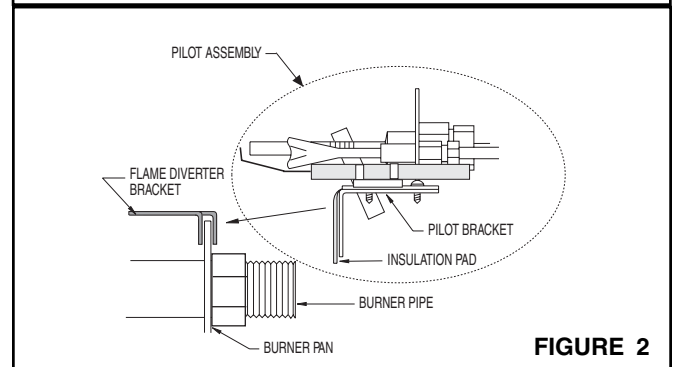
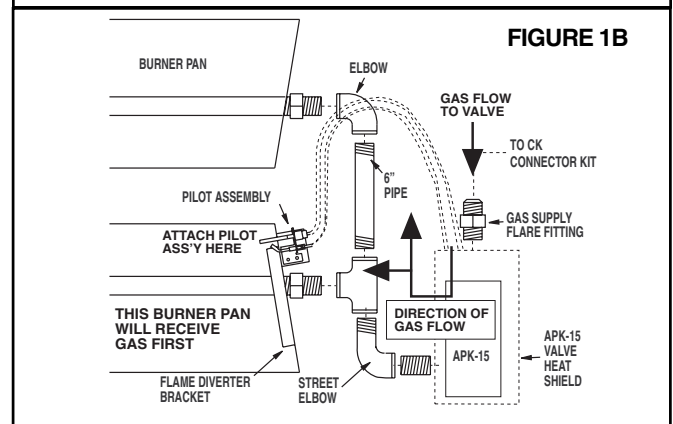
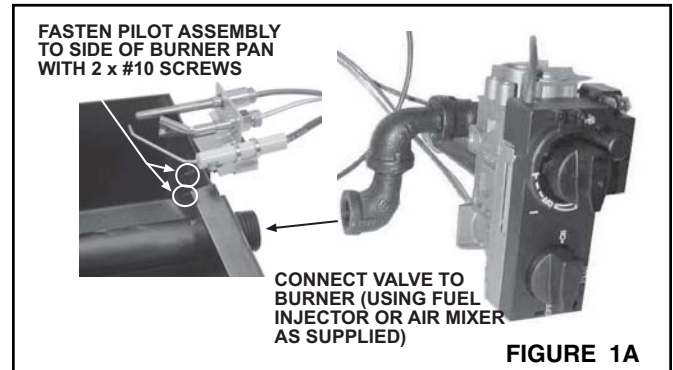
Test for leaks at all connections with soapy water solution. **Never use open flame to check for leaks.**

STEP 2 - INSTALLING THE FLAME DIVERTER BRACKET

The flame diverter bracket, when properly installed onto Peterson burner pans equipped with a safety control system, will promote quicker ignition of your Peterson gas log set and protect the safety control system from overheating.

- A. **Install the flame diverter bracket before installing the pilot assembly.**
- B. Place flame diverter bracket (Item 6) over the side edge of the burner pan where the Peterson safety control system pilot bracket will be attached. The bracket should be placed approximately 1 1/4" from the back of the burner pan (Figure 3).
- C. Tap bracket lightly with a hammer to secure in place.

* **CAUTION:** Be careful not to kink pilot supply tube or thermocouple.



STEP 3 - INSTALL THE PILOT ASSEMBLY TO THE BURNER
CAUTION - DO NOT GET GRANULES INTO THE PILOT BURNER
REFER TO THE PARTS LIST WHEN FOLLOWING THESE INSTRUCTIONS

* **CAUTION:** Be careful not to kink pilot supply tube or thermocouple.

**GLOWING EMBER - G4, GX4,
 VG4 & HG SERIES**

- Attach the mounting bracket to the pilot assembly (Item 3) with the screws provided. (Note: bracket and pilot assembly are shown attached in Figure 4)
- Carefully bend the thermocouple lead and the pilot gas supply line so the pilot assembly is positioned as illustrated above.
- **Place the insulating pad** between the bracket and the pan. Insert the screws through the pilot bracket and the holes in end of the pan.

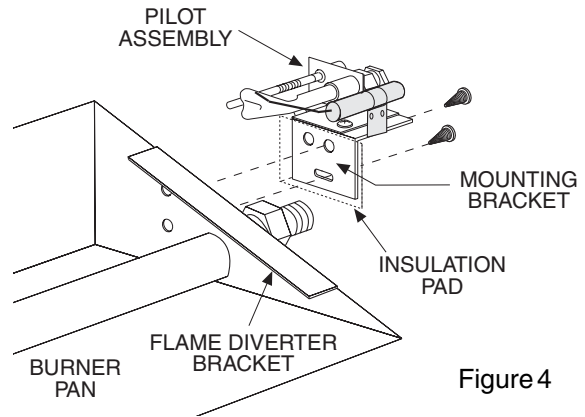


Figure 4

FLAME PAN - P SERIES

- Attach the mounting bracket with the screws provided to the pilot assembly as located above. (Note: bracket and pilot assembly are shown attached in Figure 5)
- Carefully bend the thermocouple lead and the pilot gas supply line so the pilot assembly is positioned at end of the pan as illustrated.
- **Place the insulating pad** between the bracket and the pan. Insert the screws through the pilot bracket and the holes in end of pan.

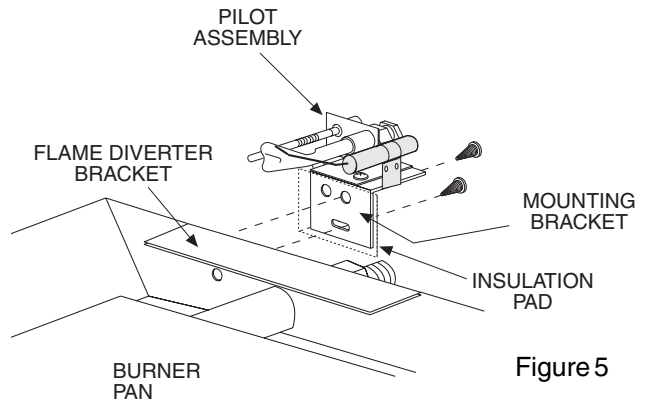


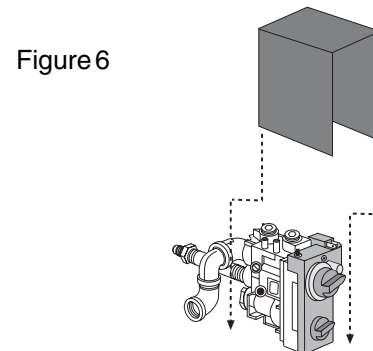
Figure 5

STEP 4 - RADIANT HEATSHIELD PLACEMENT

Cover the APK-150 safety valve with the radiant heatshield (Item 2) as shown (Figure 6).

STEP 5- WOODCHIP PLACEMENT

The designer wood chip (Item 7) is provided for aesthetics and does not affect operation of your APK-15. The wood chip should be placed in front of the valve, with at least one inch between the wood chip and the valve.



APK-150(P) OPERATING INSTRUCTIONS

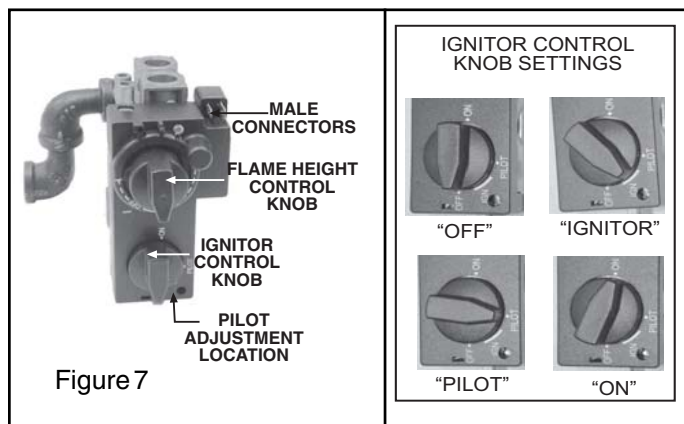
HOW TO LIGHT THE PILOT

- A. To light the pilot, turn the ignitor control knob (see Figure 7), from the 'OFF' position, slightly right towards the 'IGN' until reaching stop. Press the ignitor control knob in and hold for 5 seconds (only pilot gas will flow).
- B. Continue pressing in while turning the ignitor control knob further to the right to activate the piezo ignitor (you should hear a click and pilot should light). Continue to hold the ignitor control knob in for 10 seconds after the pilot has been lit.

If the pilot does not light, steps A and B can be immediately repeated.

- C. After lighting, release ignitor control knob and turn to the 'ON' position.

If the pilot does not stay lit, turn the ignitor control knob to the full 'OFF' position. Wait five minutes and repeat lighting instructions.



HOW TO OPERATE THE APK-150(P)

Your gas log set with the APK-15(P) has two options which allow you to turn your gas log set 'ON', control flame height and to turn your gas log set 'OFF'.

1. MANUAL OPERATION ON THE VALVE

- A. Turning 'ON' your gas log set:

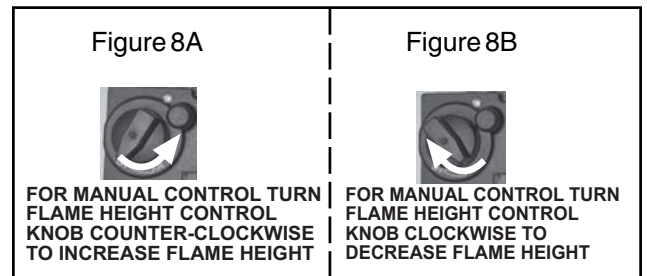
With the pilot lit, turn the flame height control knob towards 'ON' (counterclockwise). (Figure 8A)

- B. Adjust the flame height control knob to the desired flame height and heat output.

- C. Turning 'OFF' you gas log set:

Turn the flame height control knob towards 'OFF' (clockwise) until fully reaching stop (Figure 8B). The pilot flame will remain lit.

2. For full shut-down, turn the ignitor control knob towards 'OFF' (clockwise) until reaching stop. Press down slightly and continue turning towards 'OFF' from 'PILOT' position to 'OFF' position. The pilot will be extinguished.



TROUBLESHOOTING YOUR SAFETY PILOT KIT (APK-150 AND APK-150P)

PROBLEM	CAUSE	SOLUTION
1. Pilot will not light.	<ol style="list-style-type: none"> a. Obstruction in pilot gas supply/pilot gas supply line is kinked. b. Inadequate gas supply. c. Air in line. 	<ol style="list-style-type: none"> a. Clear out obstruction. Replace pilot gas supply line if kinked. b. Have gas pressure checked by installer or gas supplier. c. Air should clear, attempt to relight.
2. Pilot will not stay lit after releasing knob.	<ol style="list-style-type: none"> a. Thermocouple connection to valve either too tight or too loose. b. Bad thermocouple. 	<ol style="list-style-type: none"> a. Thermocouple should be finger tight and then 1/8" turn with a wrench. b. Replace thermocouple.
3. Log set extinguishes a few minutes after lighting.	<ol style="list-style-type: none"> a. Inadequate gas supply causes pilot flame to reduce after burner lights. 	<ol style="list-style-type: none"> a. Using pilot adjustment, increase gas to pilot. Pilot flame must be in contact with the thermocouple tip.
4. Log set extinguishes after burning for some time (approximately 10 minutes to 1 hour).	<ol style="list-style-type: none"> a. Thermocouple has overheated; glass doors are closed. b. Thermocouple has overheated; insulation pad is not in place. c. Thermocouple has overheated; burner flames are heating the thermocouple cold junction. 	<ol style="list-style-type: none"> a. Be sure glass doors are open during operation. b. Be sure that the insulation pad is in place between the burner pan and the pilot bracket. c. Be sure the pilot assembly and the flame diverter are in their proper position. Rearrange logs so that flame is not deflected to the thermocouple.

PETERSON VENTED GAS LOG SETS LIMITED WARRANTY

All Peterson Gas Logs are **WARRANTED for as long as you own them (Lifetime)**.

All Peterson Burner Assemblies are **WARRANTED for TEN (10) YEARS**.

SPK-26 controls are covered by a **THREE (3) YEAR "All Parts" Warranty**.

All other Peterson Valves, Pilots and Controls are covered by a **ONE (1) YEAR Limited Warranty (excluding batteries)**.

This warranty applies only to the original purchaser, from the date of purchase, and to Peterson products purchased for residential purposes.

This warranty does not cover parts becoming defective by misuse, accidental damage, electrical damage, improper handling and/or installation or service (log sets must be installed as outlined in the enclosed instructions by a qualified, professional installer and with only Peterson parts, control valves, remotes and accessories). It does not cover labor or labor-related charges. It specifically excludes liability for indirect, incidental or consequential damages. Some states do not allow the exclusion or limitation of incidental or consequential damages, so the above exclusion or limitation may not apply to you. This warranty gives you specified legal rights and you may have other rights which may vary from state to state.

For additional information regarding this warranty, or information on how to place a warranty claim, contact your Peterson dealer or the Robert H. Peterson Company.

ROBERT H. PETERSON CO.

Quality Check

Date: _____

Orifice # (Main): _____

Orifice # (Other): _____

Leak Test: _____

Burn Test: _____

Gas Type: NAT. / L.P.

Model #: _____

Serial #: _____

Air Shutter: _____

Inspector: _____